

ECO

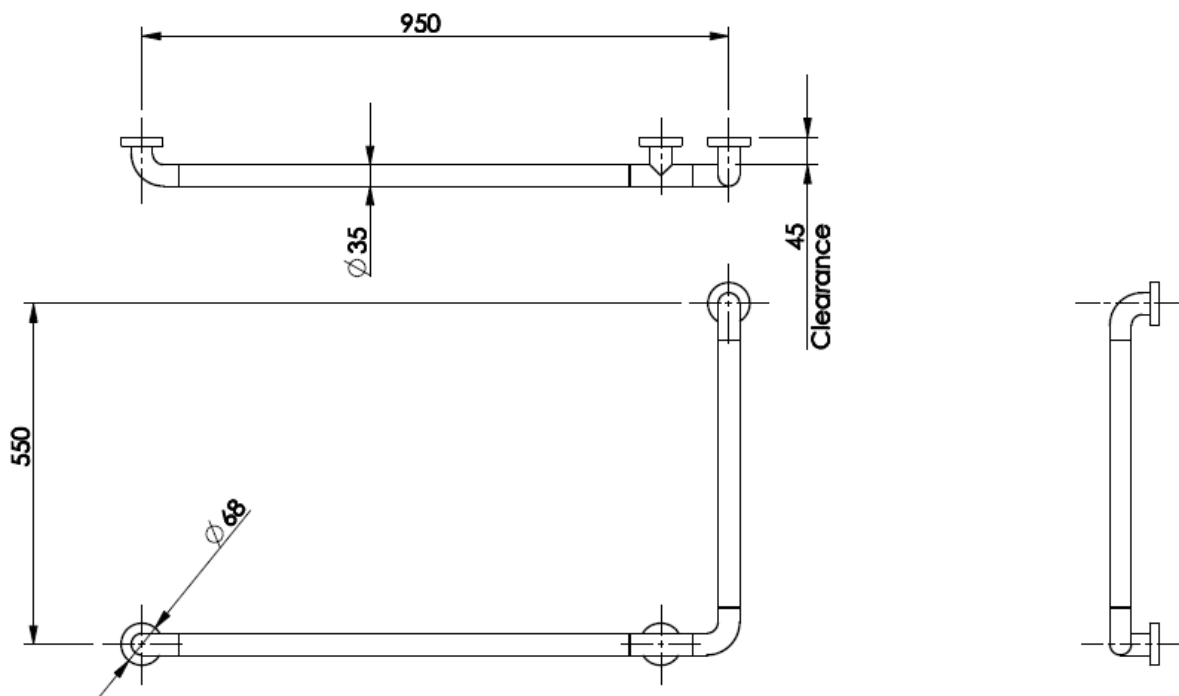


ARTICLE NO : ECO GBL95X55
DESCRIPTION : L-shape Grab Bar
950X550 mm

- FEATURES :
- Anti-Bacteria Nylon Sleeve on Aluminum Core
 - UV Stable and Corrosion Resistance
 - Stainless Steel Fixation



TECHNICAL SPECIFICATION



All dimensions in mm

Copyright © W. ATELIER PTE. LTD., All rights reserved.

All photos and specification in this brochure are only for illustration and do not necessarily represent the final standard specification. Manufacturer reserve the rights to make further improvements and changes, where appropriate during design development. Therefore, they shall not form part of an offer or contract.