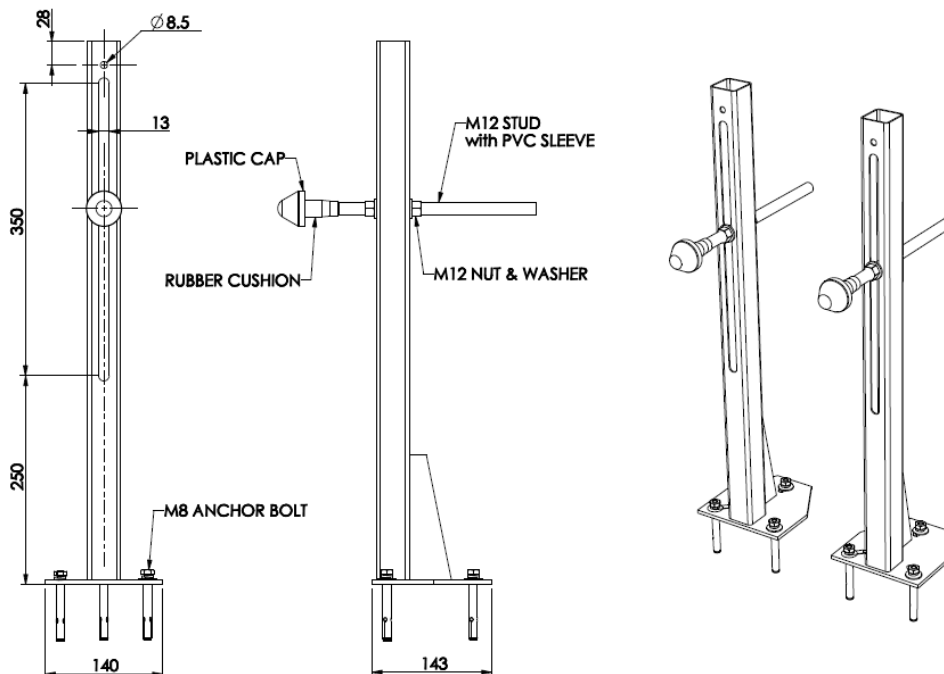


ARTICLE NO : ECO CB103  
 DESCRIPTION : Urinal Bowl Free Standing Universal Mounting Frame

- FEATURES :
- For wall hung urinal bowl install on solid wall or drywall
  - Corrosion resistant epoxy paint coating
  - M12 x 300 studs
  - 150 kg / 1 hour conform to EN14688

## TECHNICAL SPECIFICATION



All dimensions in mm

Copyright © W. ATELIER PTE. LTD., All rights reserved.

All photos and specification in this brochure are only for illustration and do not necessarily represent the final standard specification. Manufacturer reserve the rights to make further improvements and changes, where appropriate during design development. Therefore, they shall not form part of an offer or contract.