

ECO

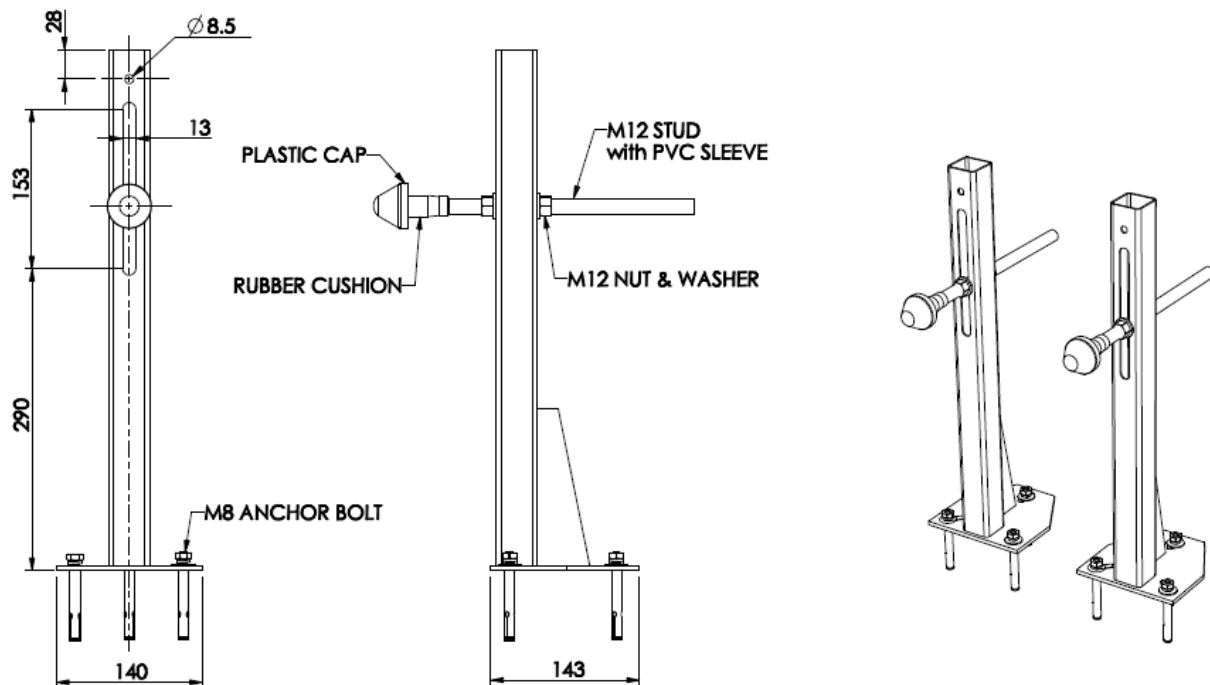


ARTICLE NO : ECO CB101-1
DESCRIPTION : Free Standing Universal Mounting Frame for Wall Hung Water Closet

FEATURES :

- For WC Pan install on solid wall or drywall
- Corrosion resistant epoxy paint coating
- M12 x 300 studs
- 400 kg / 1 hour conform to EN997

TECHNICAL SPECIFICATION



All dimensions in mm

Copyright © W. ATELIER PTE. LTD., All rights reserved.

All photos and specification in this brochure are only for illustration and do not necessarily represent the final standard specification. Manufacturer reserve the rights to make further improvements and changes, where appropriate during design development. Therefore, they shall not form part of an offer or contract.