

# TOTO

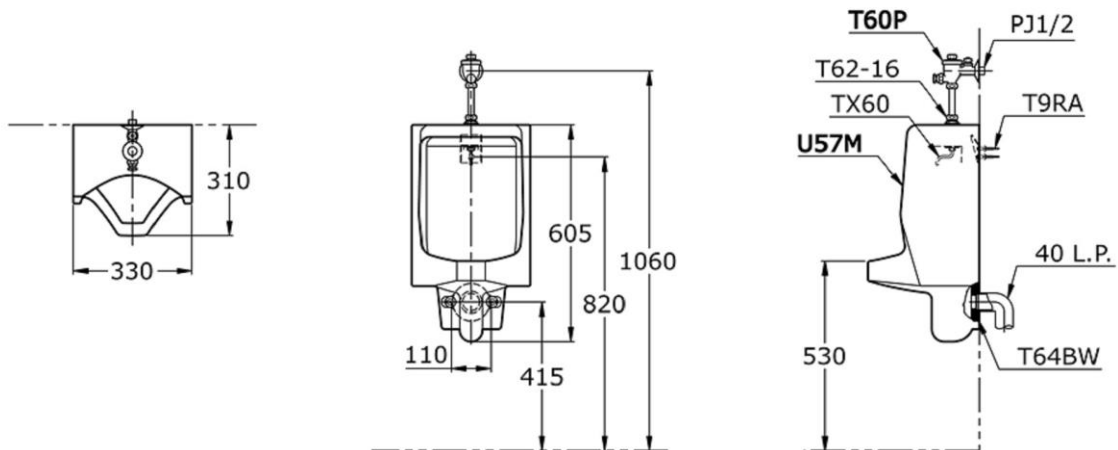
## U57M



Height: 605 mm  
Width: 330 mm  
Depth: 310 mm

### TECHNICAL SPECIFICATION

---



Copyright © W. ATELIER PTE. LTD., All rights reserved.

All photos and specification in this brochure are only for illustration and do not necessarily represent the final standard specification. Manufacturer reserve the rights to make further improvements and changes, where appropriate during design development. Therefore, they shall not form part of an offer or contract.