

TOTO

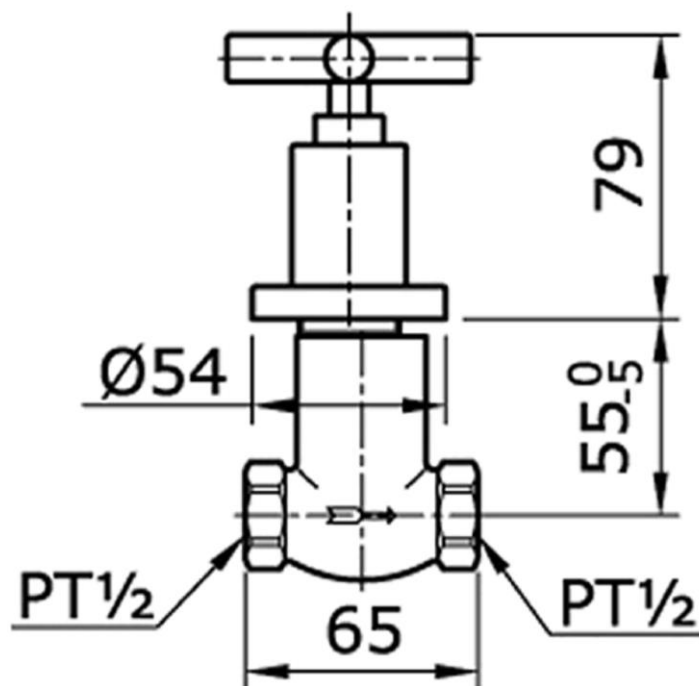
TX452SEC

Cross Handle Stop Valve

Min Water Pressure: 0.05 MPa
Max Water Pressure: 0.75 MPa
Flow Rate: 21.6 Lpm



TECHNICAL SPECIFICATION



Copyright © W. ATELIER PTE. LTD., All rights reserved.

All photos and specification in this brochure are only for illustration and do not necessarily represent the final standard specification. Manufacturer reserve the rights to make further improvements and changes, where appropriate during design development. Therefore, they shall not form part of an offer or contract.