

# TOTO

## TX116LESV4N

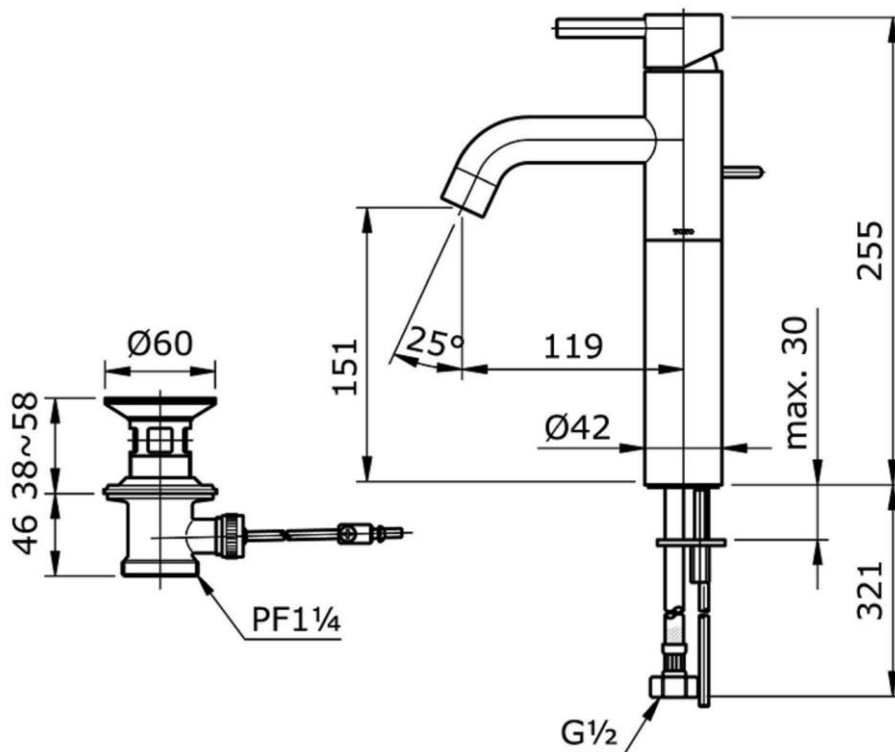
Extended Single Lever Lavatory Faucet  
With 1" Pop-Up Waste

Min Water Pressure: 0.05 MPa  
Max Water Pressure: 0.75 MPa  
Flow Rate: 7 Lpm



### TECHNICAL SPECIFICATION

---



Copyright © W. ATELIER PTE. LTD., All rights reserved.

All photos and specification in this brochure are only for illustration and do not necessarily represent the final standard specification. Manufacturer reserve the rights to make further improvements and changes, where appropriate during design development. Therefore, they shall not form part of an offer or contract.