

TOTO

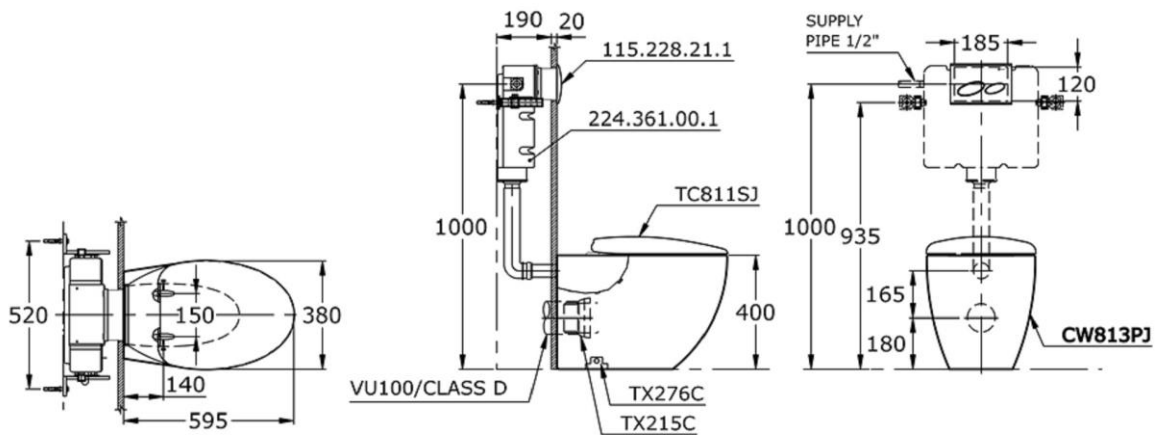
CW813PJ

Wall Faced 4.5 / 3 L Dual Flush Solid
Duroplast Seat & Cover

Rough-in: 180 mm
Bowl Shape: European



TECHNICAL SPECIFICATION



Copyright © W. ATELIER PTE. LTD., All rights reserved.

All photos and specification in this brochure are only for illustration and do not necessarily represent the final standard specification. Manufacturer reserve the rights to make further improvements and changes, where appropriate during design development. Therefore, they shall not form part of an offer or contract.