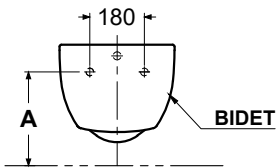
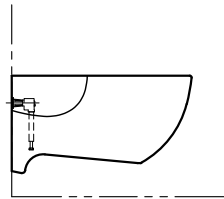
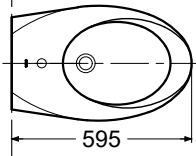
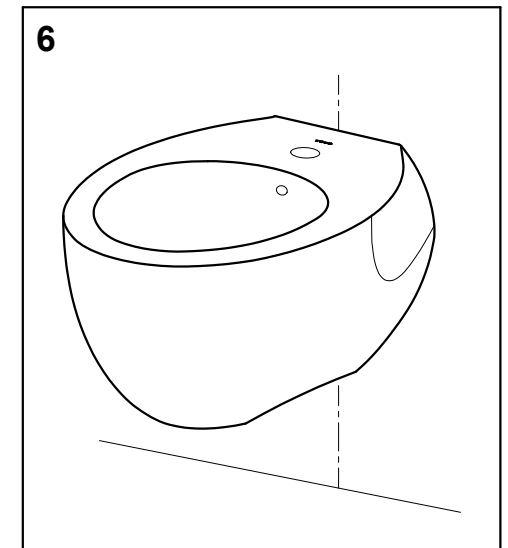
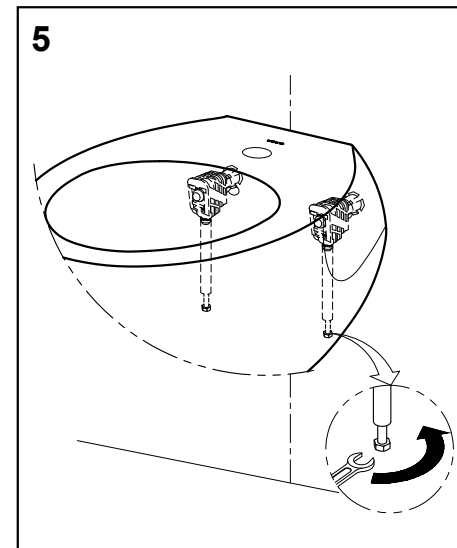
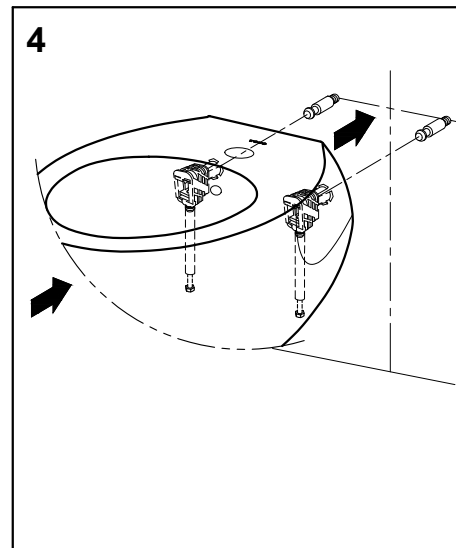
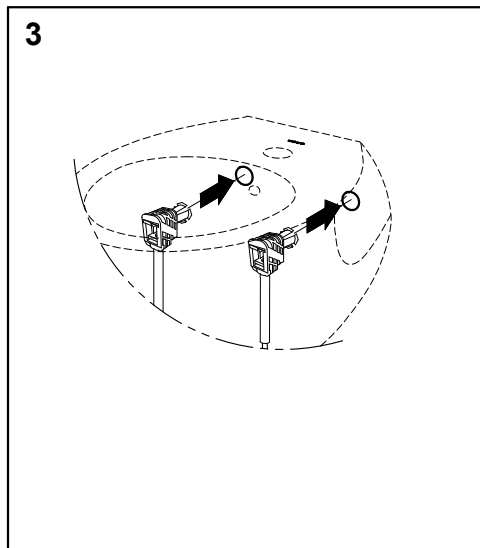
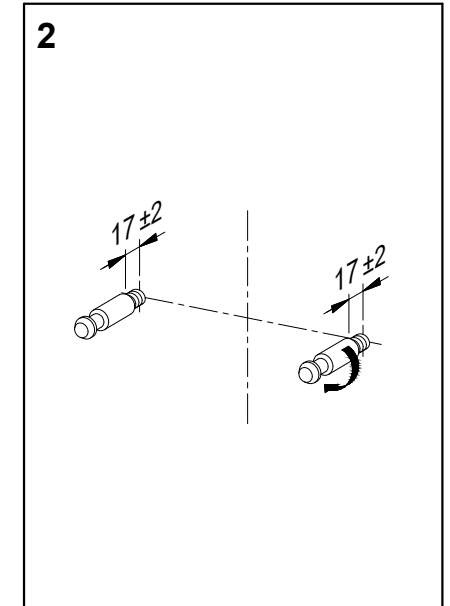
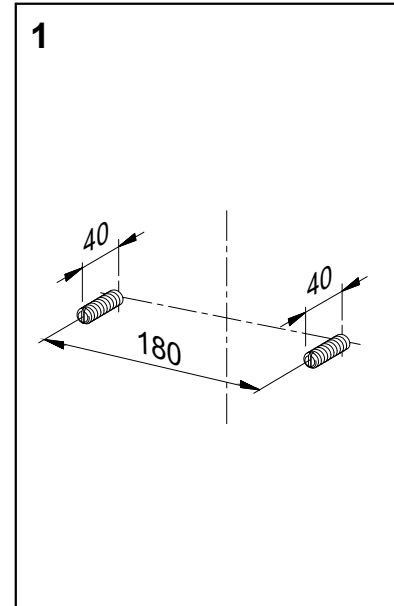
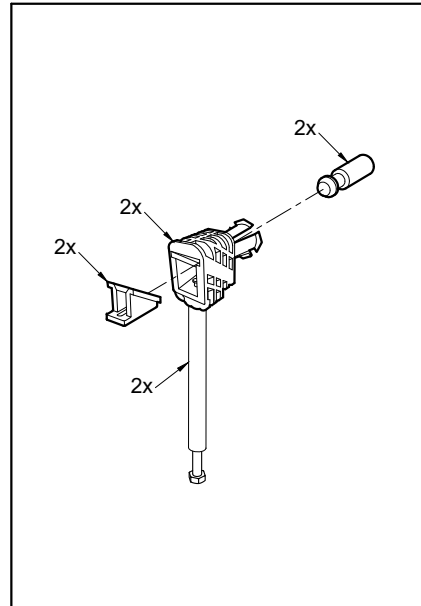


### SPECIFICATIONS

BIDET	A
BW800J	310 ±10
BW812J	310 ±10
BW822NJT1	320 ±10



### INSTALLATION



Note : " This installation drawing is intended as a recommendation only. Please consult your local plumbing contractor for the best arrangement for your bathroom. The manufacturer and seller take no responsibility for how the unit is installed "